

- ▶ EASIER PROGRAMMING
- ▶ 4 QUADRANTS OPERATIVITY
- ▶ LCD GRAPHIC DISPLAY
- ▶ LIGHTED KEYBOARD
- ▶ MEASURE CIRCUIT SEPARATED FROM SUPPLY
- ▶ COMM PORTS: RS485 MODBUS RTU/ ETHERNET (optional)
- ▶ NTC EXTERNAL PROBE FOR TEMP MONITORING (optional)
- ▶ INSTANT SYSTEM STATUS VIEW (VISIO system)
- ▶ DOUBLE Cosφ PROGRAMMABLE
- ▶ SELF-EXTINGUISHED MATERIAL UL94 V0



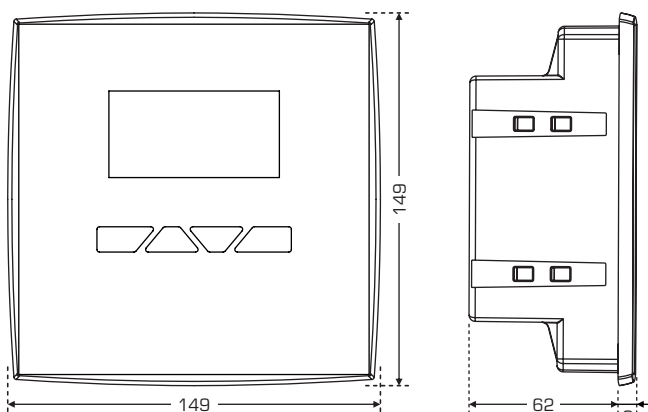
EU Directives - CE Marking:

- > 2014/30/UE - EMC
- > 2014/35/UE - LVD

TECHNICAL DATA

	UNIT	EPFCB07	EPFCB13
Supply voltage AC	V~	230 - 400 (range 220 - 440)	
Operating Limits (Ue)	%	-15 / +10	
Nominal Frequency	Hz	50 - 60 (range 47 - 63)	
Power Consumption (max. AC)	VA	5.5	
Immunity Time For Microbreakings	ms	< 30	
Display Type	-	64x128 Dot Matrix LCD COG	
Rated Current (CT)	A	1 or 5	
Voltage Reading Limits (N/Lx)	V~	10 - 460	
Current Reading Limits (CT)	A	0.020 - 5.5	
Measuring Values	-	True RMS	
Power Factor Correction	-	0.85 Ind - 0.95 Cap (operates in all Four-Quadrants)	
FFT - Harmonic Spectrum	THD %	64 st	
Number of Output	Relay	7	13
Serial Interface	-	RS-485 (not insulated)	
Communication Protocol	-	Owner - Modbus RTU or TCP/IP	
Working temperature	°C	-10 / +50	
Storage temperature	°C	-30 / +70	
Electrical Insulation	kV	4	
Overvoltage Category	-	II	
Protection degree	IP	41 Front Cover - 20 Terminal Block Connections	
Pollution degree	-	2	
Relative Humidity w/o cond.	RH%	90	
Altitude up to	m	2000	
Weight	g	650	730
Dimensions	mm	149 x 149 x 68	

DIMENSIONS (mm)



WIRING DIAGRAM

