

- ▶ **SUPPLY VOLTAGE DEVICE FROM 230V~ - 50/60Hz**
  - SINGLE-PHASE: 230 V~ - 1PH MODE (L+N)
  - THREE-PHASE: 3 x 400 V~ - 1PH MODE (L1 or L2 or L3+N)
  - THREE-PHASE: 3 x 230 V~ - 3PH MODE (L1+L2)
  - For other supply voltages, please contact our sales department
- ▶ **MONITORING:**
  - $\cos\phi$  INDUCTIVE & CAPACITIVE
  - NEUTRAL TO PHASE VOLTAGE & CURRENT
  - SENSITIVITY
  - ALARMS
- ▶ **MANUAL OR AUTOMATIC OPERATION**
- ▶ **SENSITIVITY ADJUSTABLE**
- ▶ **COMPACT SIZE - 2 MODULE - 35mm**
- ▶ **DIN RAIL MOUNTING EN50.022**
- ▶ **SELF-EXTINGUISHED MATERIAL UL94 V0**



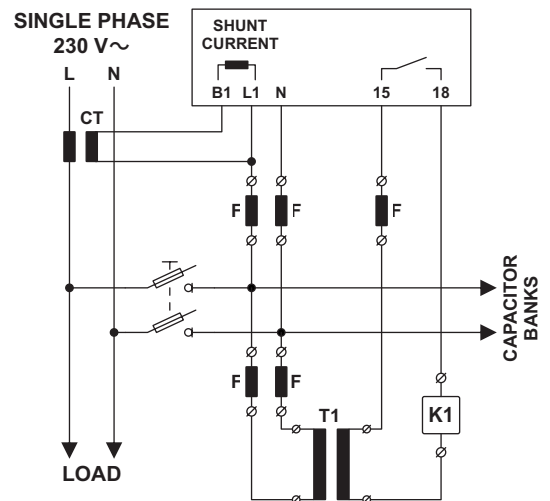
### EU Directives - CE Marking:

- > 2014/30/UE - EMC
- > 2014/35/UE - LVD

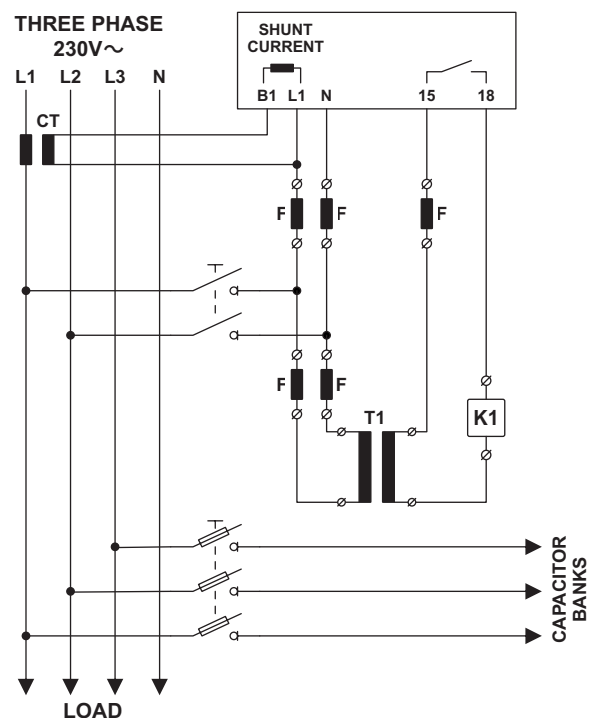
### TECHNICAL DATA

	UNIT	DPFC01D
Supply voltage AC	V~	230
Operating Limits (Ue)	%	-15/+10
Nominal Frequency	Hz	50 - 60 (range 47 - 63)
Power Consumption (max. AC)	VA	3.0
Immunity Time For Microbreakings	ms	< 6
Display Type	-	4 x LED Red
Rated Current	A	5
Voltage Reading Limits (N/Lx)	V~	196 - 253
Current Reading Limits	A	0.125 - 5.5
Measuring Values	-	RMS
Power Factor Correction	-	0.91 Ind - 0.96 Cap
Number of Output	Relay	1
Contact Capacity	-	5A - 250V~ (AC1)
Working temperature	°C	-10/+50
Storage temperature	°C	-30/+70
Electrical Insulation	kV	4
Oversvoltage Category	-	II
Protection degree	IP	20
Pollution degree	-	2
Relative Humidity w/o cond.	RH%	90
Altitude up to	m	2000
Weight	g	140
Dimensions	mm	98 x 36 x 64

### WIRING DIAGRAM - 1PH 230V~



### WIRING DIAGRAM - 3PH 230V~



### DIMENSIONS (mm)

