

- ▶ UNDER AND OVER FREQUENCY LEVEL SETTING
- ▶ UNDER AND OVER FREQUENCY TIME DELAY SETTING
- ▶ OUTPUT 1 or 2 RELAY 1 POLE CHANGEOVER CONTACT
- ▶ COMPACT SIZE - 1 MODULE - 17.5mm
- ▶ DIN RAIL MOUNTING EN50.022
- ▶ SELF-EXTINGUISHED MATERIAL UL94 V0



■ TYPICAL APPLICATION: GENSET SYSTEMS

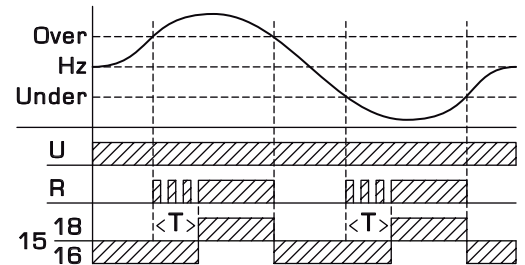
EU Directives - CE Marking:

- > 2014/30/UE - EMC
- > 2014/35/UE - LVD

TECHNICAL DATA

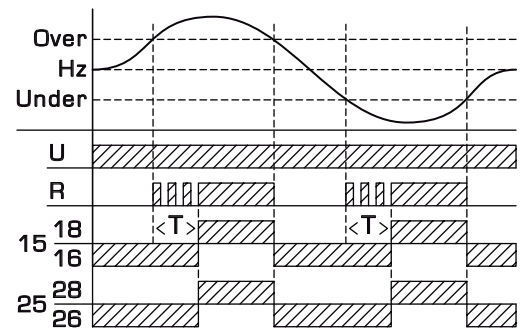
	UNIT	MFMFBD1	MFMFBD2
INPUT			
Supply voltage AC ±10%	V~	120 - 240	
Nominal Frequency	Hz	50 - 60 (range: 47 - 63)	
Frequency selectable	Hz	36 - 45 / 46 - 55	
Power consumption (max. AC)	VA	12	
Supply indication (U)	-	Green LED	
OUTPUT RELAY			
Rating	-	1 x 8A SPDT 250V~/24V~	2 x 8A SPDT 250V~/24V~
Max switching power	VA	2000	
Max switching voltage	V~	400	
Min switching load	-	10mA 12V~	
Contact life	Mech. Electr.	30 x 10 ³ ops 100 x 10 ³ ops	
Changeover contacts	-	AgNi0.15	
Output Indication (R)	-	Red LED	
GENERAL			
Delay Time (T)	s	0 - 10	
Setting Accuracy	%	2	
Repeat Accuracy	%	0.5 constant conditions	
Hysteresis	Hz	±1	
Temperature dependancy	%/°C	< 0.1	
Working temperature	°C	-20 / +50	
Storage temperature	°C	-30 / +70	
Electrical Insulation	kV	4	
Overtoltage Category	-	III	
Protection degree	IP	20	
Pollution degree	-	2	
Climatic category according to (without condensation)	-	IEC 60068-1 [20/050/60] DIN 40040 [class D]	
Altitude up to	m	2000	
Weight	g	55	
Dimensions	mm	98 x 17.5 x 64	

FUNCTIONS 1 RELAY



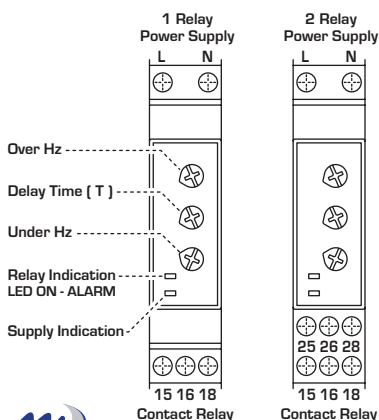
When Frequency is OK the R led and Relay are OFF
When Frequency is wrong the R led and Relay are ON

FUNCTIONS 2 RELAY

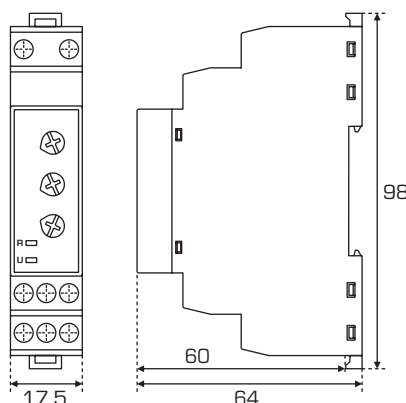


When Frequency is OK the R led and Relay are OFF
When Frequency is wrong the R led and Relay are ON

DESCRIPTION



DIMENSIONS (mm)



WIRING DIAGRAM

