

- ▶ HIGH EFFICIENCY UP TO 90%
- ▶ 150% PEAK LOAD CAPABILITY
- ▶ 105°C LONG LIFE CAPACITANCE
- ▶ METALLIC BOX PROTECTION IP20
- ▶ DIN RAIL MOUNTING EN50.022

■ PROTECTION:

- Short circuit
- Overload
- Overvoltage
- Overtemperature (only on standard line)

EU Directives - CE Marking:

- > 2014/30/UE - EMC
- > 2014/35/UE - LVD



TECHNICAL DATA

INPUT	UNIT	SWMT2475	SWMT2475e
Supply voltage AC	V \sim	100 - 240	
Nominal frequency	Hz	50 - 60 (range: 47 - 63)	
Supply voltage DC	V $\overline{\text{---}}$	140 - 340	
Input current at 230VAC	A	0.97	0.9
In-rush current at 230VAC	A	20	35
Input overload protection T-type fuse (internal)	A	3.15	
Power Factor at 230VAC	-	0.5	

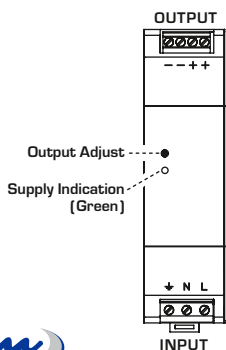


OUTPUT	UNIT	SWMT2475	SWMT2475e
Output adjustable voltage DC	V $\overline{\text{---}}$	24 - 28 ($\pm 2\%$)	
Max. continuous output current	A	3	
Max. continuous output power	W	75	
Ripple BW 20MHz at max. load	mV	120	100
Hold-up time at rated V \sim and max. load	ms	20	
Rise time at rated V \sim	ms	200	200
Parallel connection	-	NO	
Output overvoltage protection min. % of Vout	%	120 - 135	120 - 150
Output overload protection % of max. load	%	110 - 150	
Power good relay	%	NO	

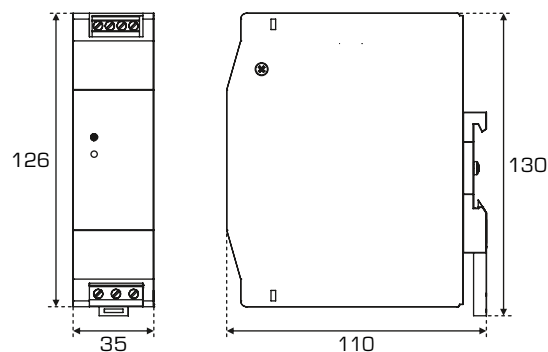
GENERAL

Efficiency at rated V \sim	%	89.5	88
Working temperature - free convection	°C	-25 / +70	-20 / +60
De-rating 2.5% In/°C	°C	> 55	
Storage temperature	°C	-40 / +85	
Electrical Insulation	kV	3 (IN/OUT) 1.5 (IN/⊕) 0.5 (OUT/⊕)	
Over-temperature protection	-	YES	NO
Protection degree	IP	20	
Relative Humidity w/o cond.	RH%	90	
Altitude up to	m	2000	
Weight	g	360	
Dimensions	mm	130 x 35 x 110	

DESCRIPTION



DIMENSIONS (mm)



WIRING DIAGRAM

