

- ▶ PROTECTION RELAY FOR MOTOR WITH PTC SENSOR
 - Type of PTC sensor according to DIN 44081
- ▶ MANUAL OR AUTOMATIC RESET
- ▶ MEMORY AND FAILURE SET
- ▶ SENSOR TEST
- ▶ OUTPUT RELAY 1 POLE CHANGEOVER CONTACT
- ▶ COMPACT SIZE - 1 MODULE - 17.5mm
- ▶ DIN RAIL MOUNTING EN50.022
- ▶ SELF-EXTINGUISHED MATERIAL UL94 V0

■ TYPICAL APPLICATION: MOTOR OVERLOAD



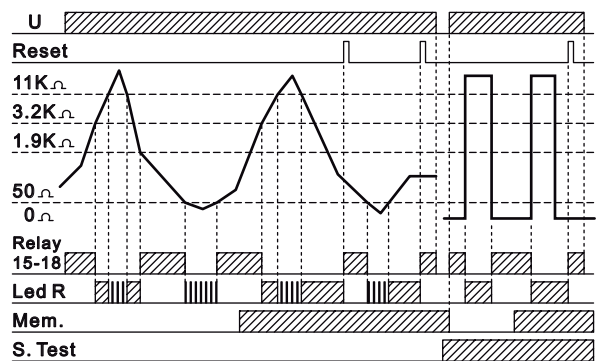
EU Directives - CE Marking:

- > 2014/30/UE - EMC
- > 2014/35/UE - LVD

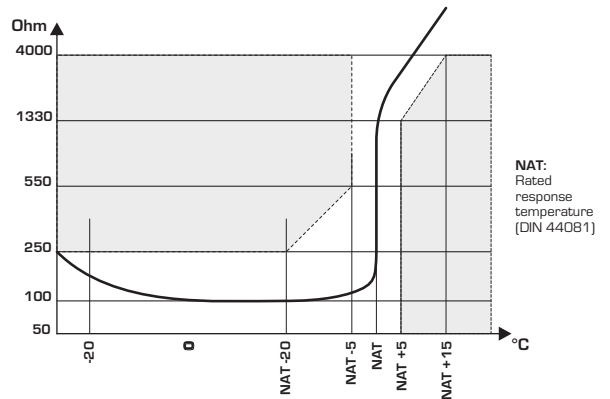
TECHNICAL DATA

	UNIT	TPMCII1	TPMIII1
INPUT			
Supply voltage DC ±10%	V $\overline{\text{---}}$	24	-
Supply voltage AC ±10%	V \sim	24	90 - 264
Nominal Frequency	Hz	50 - 60 [range: 47 - 63]	
Power consumption [max. AC]	VA	0.9	3.7
Supply indication [U]	-	Green LED	
MEASURING CIRCUIT			
Total PTC resistance R1+R2+RN	K Ω	< 1.5	
Trip resistance	K Ω	3.2 ±10%	
Reset resistance	K Ω	1.9 ±10%	
Voltage at T1 - T2	VAC	< 2.5	
OUTPUT RELAY			
Rating	-	8A - 250V \sim /24V $\overline{\text{---}}$	
Max switching power	VA	2000	
Max switching voltage	V \sim	400	
Min switching load	-	10mA 12V $\overline{\text{---}}$	
Contact life	Mech. Electr.	30 x 10 ³ ops 100 x 10 ³ ops	
Changeover contacts	-	AgNi0.15	
Output Indication [R]	-	Red LED	
GENERAL			
Working temperature	°C	-20 / +50	
Storage temperature	°C	-30 / +70	
Electrical Insulation (supply/probe)	kV	3	
Electrical Insulation (supply/relay)	kV	4	
Oversoltage Category	-	III	
Protection degree	IP	20	
Pollution degree	-	2	
Climatic category according to (without condensation)	-	IEC 60068-1 [20/050/60] DIN 40040 [class D]	
Altitude up to	m	2000	
Weight	g	55	
Dimensions	mm	98 x 17.5 x 64	

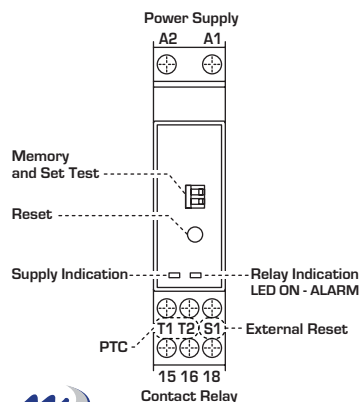
FUNCTIONS



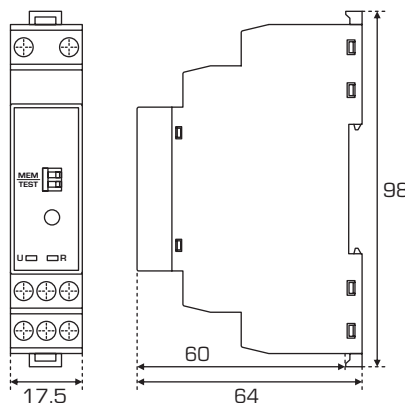
PTC RESISTIVE CURVE



DESCRIPTION



DIMENSIONS (mm)



WIRING DIAGRAM

