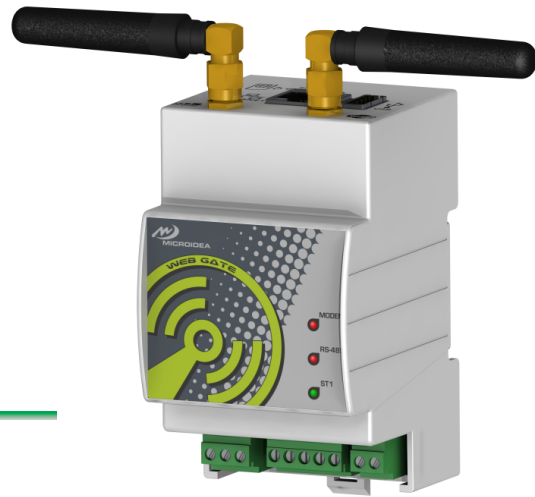


WEBGATE

WEB Communication Module

- ▶ CONNECT REMOTE DEVICES TO CLOUD SERVERS
- ▶ PC CONTROL AND ANALYSIS BY BROWSER
- ▶ REAL-TIME TRANSFER DATA
- ▶ DPFC CONNECTED THROUGH ADAPTER - SCUSB485
- ▶ COMMUNICATION:
 - ETHERNET
 - Wi-Fi XR819, IEEE 802.11 b/g/n
 - MODEM (optional)
 - Quad-Band GSM/GPRS - USING SIM-CARD DATA
- ▶ ONE OUTPUT CONTACT AND TWO INPUTS
- ▶ SIZE 3 MODULES - 54mm
- ▶ DIN RAIL MOUNTING EN50.022
- ▶ SELF-EXTINGUISHED MATERIAL UL94 V0



EC Directives - CE Marking:

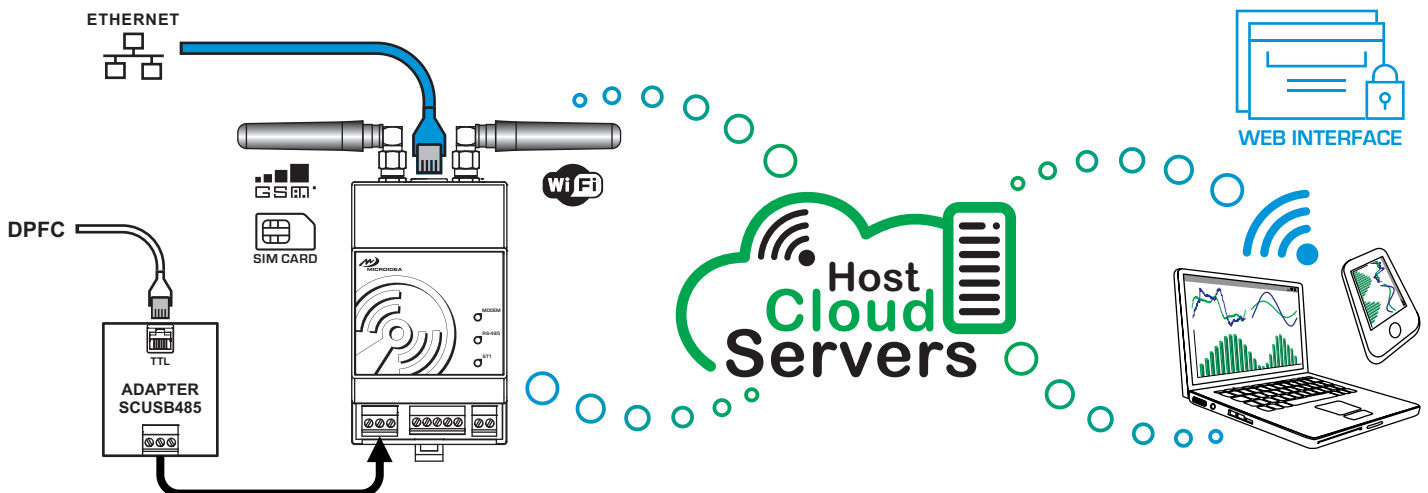
- > 2006/95/EC - Low Voltage
- > 2004/108/EC - EMC

TECHNICAL DATA

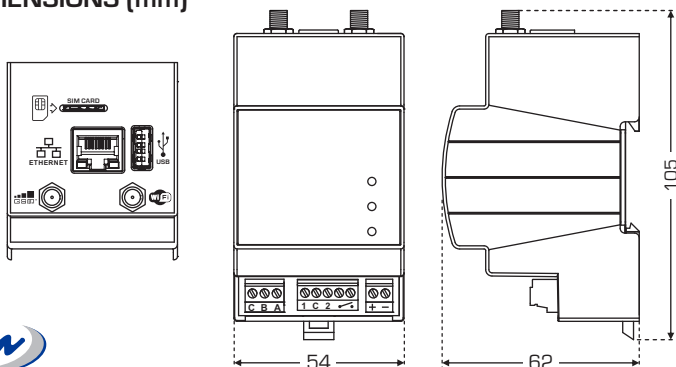
	UNIT	WebGate
Supply voltage DC	V $\overline{\text{---}}$	9 - 48
Operating Limits (Ue)	%	-15 / +10
Power Consumption (max. DC)	W	3
Serial Interface	-	RS-485
Communication Protocol	-	Modbus RTU
Working temperature	°C	-10 / +50
Storage temperature	°C	-30 / +70
Overvoltage Category	-	II
Protection degree	IP	20 Terminal Block Connections
Relative Humidity w/o cond.	RH%	80
Altitude up to	m	2000
Weight	g	120 or 140 with modem
Dimensions	mm	105 x 54 x 62

MODEM (optional)

Band specification	-	Quad Band - GSM/GPRS
Band frequency	MHz	850/900/1800/1900



DIMENSIONS (mm)



WIRING DIAGRAM

